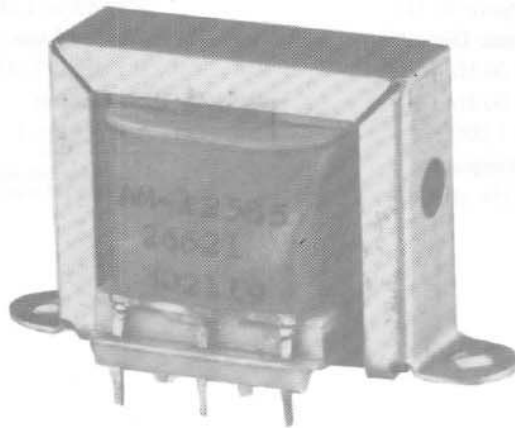


TRB-3

Input Transformer

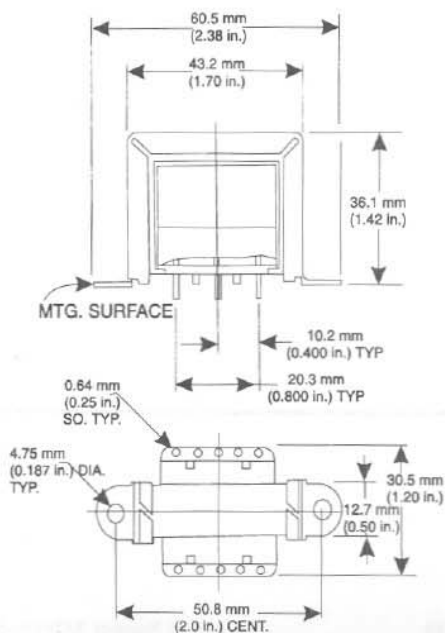
- Suitable for virtually any input-transformer application for high-impedance circuits ($\geq 10,000$ ohms)
- 1:1 turns ratio
- May be used with 2710 one-third-octave equalizer



Description

The TRB-3 is a 1:1-turns-ratio line input transformer for high-input-impedance circuits (10,000 ohms and higher), such as the input found in the Electro-Voice 2710 one-third-octave equalizer. This transformer should be used when isolation or high common-mode rejection is necessary.

Figure 1 — Dimensions



Uniform Limited Warranty Statement

Electro-Voice products are guaranteed against malfunction due to defects in materials or workmanship for a specified period, as noted in the individual product-line statement(s) below, or in the individual product data sheet or owner's manual, beginning with the date of original purchase. If such malfunction occurs during the specified period, the product will be repaired or replaced (at our option) without charge. The product will be returned to the customer prepaid.

Exclusions and Limitations: The Limited Warranty does not apply to: (a) exterior finish or appearance; (b) certain specific items described in the individual product-line statement(s) below, or in the individual product data sheet or owner's manual; (c) malfunction resulting from use or operation of the product other than as specified in the product data sheet or owner's manual; (d) malfunction resulting from misuse or abuse of the product; or (e) malfunction occurring at any time after repairs have been made to the product by anyone other than Mark IV Audio Service or any of its authorized service representatives.

Obtaining Warranty Service: To obtain warranty service, a customer must deliver the product, prepaid, to

Mark IV Audio Service or any of its authorized service representatives together with proof of purchase of the product in the form of a bill of sale or receipted invoice. A list of authorized service representatives is available from Mark IV Audio Service at 600 Cecil Street, Buchanan, MI 49107 (800-234-6831 or FAX 616-695-4743). **Incidental and Consequential Damages Excluded:** Product repair or replacement and return to the customer are the only remedies provided to the customer. Electro-Voice shall not be liable for any incidental or consequential damages including, without limitation, injury to persons or property or loss of use. Some states do not allow the exclusion or limitation of incidental or consequential damages so the above limitation or exclusion may not apply to you. **Other Rights:** This warranty gives you specific legal rights, and you may also have other rights which vary from state to state.

Electro-Voice Accessories are guaranteed against malfunction due to defects in materials or workmanship for a period of one (1) year from the date of original purchase. Additional details are included in the Uniform Limited Warranty statement.

Specifications subject to change without notice.

Model TRB-3 Input Transformer

Specifications¹

Turns Ratio:

1:1

Impedance Ratio:

15,000 : 15,000

Input Impedance:

15,400 ohms at 100 Hz

16,200 ohms at 10,000 Hz

Source Impedance:

15,000 ohms maximum

Output Impedance:

15,300 ohms at 100 Hz

16,000 ohms at 10,000 Hz

Load Impedance:

15,000 ohms

Maximum Input Level:

+18 dBu² at 20 Hz

+24 dBu above 40 Hz

Total Harmonic Distortion at +18 dBu²:

<0.15% at 20 Hz

<0.10% at 50 Hz

<0.01% at 1,000 Hz

Frequency Response:

20-20,000 Hz \pm 0.5 dB

Phase Response:

<10° at 30 Hz

<50° at 20,000 Hz

Common-Mode Rejection:

>70 dB at 1,000 Hz

Insertion Loss:

0.3 dB at 1,000 Hz (typical)

Dimensions:

See Figure 1

1. 15,000-ohm load impedance.
2. 0 dBu is 0.775 volts RMS sine wave.

Electro-Voice[®]

a MARK IV company

600 Cecil Street, Buchanan, MI 49107

800/234-6831, 616/695-6831, 616/695-1304 Fax